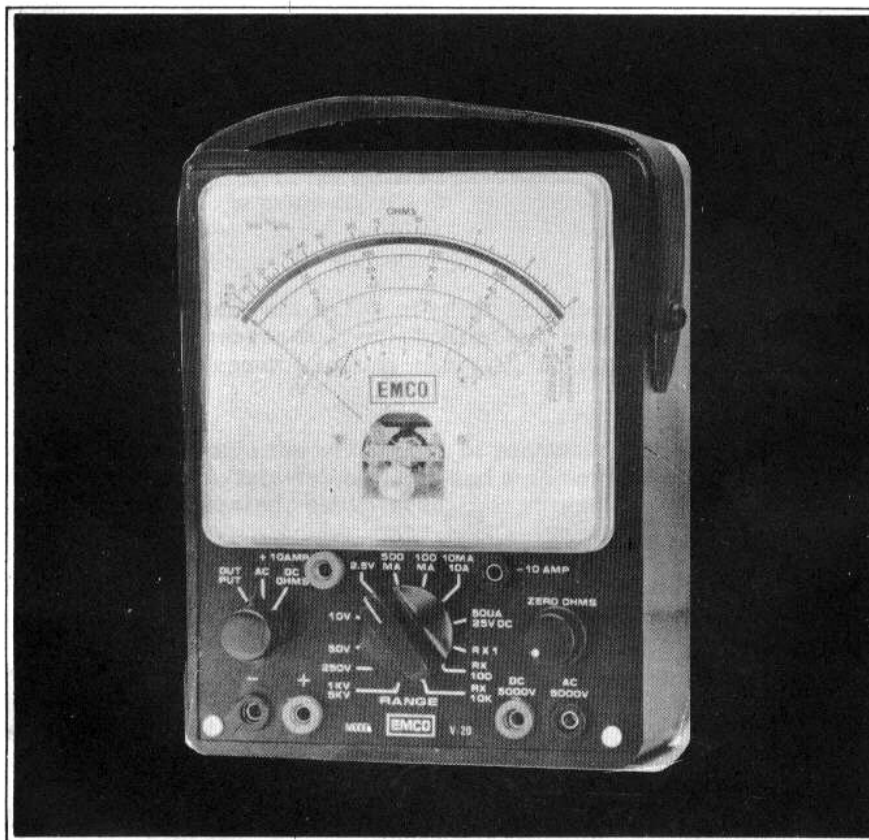


EMCO

V-20 | VOM



OPERATING MANUAL

GENERAL DESCRIPTION

The EMCOModelV-201s a high quality, 31 range multimeter, provided with a 50 microampere, D'Arsonval meter movement to give a sensitivity of 20,000 ohms per volt on DC and 1000 ohms per volt on AC. This high sensitivity results in light loading and, therefore, minimum disturbance in the circuit under test, an indispensable feature for accurate measurement. The quality of this instrument is further exemplified by the inclusion of wire-wound potentiometers (shunting and in series with the rectifier), which are factory adjusted to compensate for the individual characteristics of the rectifier in your instrument. This built-in EMCO feature assures you of standardized accuracy over a wide range of measurements.

This instrument provides AC and DC voltage measurement from .1 volt (on the 2.5 volt scale) to 5000 volts (an internal high voltage multiplier is included). It also provides DC current measurement from 1 microampere (on the 50 microampere scale) to 10 amperes. Resistance ranges to 20 megohms, output, and decibel ranges bring the total number of useful ranges to 31. An added feature of this instrument is an internal blocking capacitor that can be switched when it is desired to measure the output signal voltage in circuits where DC is present.

Easy reading with less probability of error is obtained with a large 4-1/2" meter. The instrument is ruggedly housed in a polished, high-impact bakelite case with a genuine leather carrying handle.

These instruments have the wide scope of ranges, sensitivity, and accuracy that are necessary in television, f-m, and a-m servicing and manufacture. They are simply operated, easily read, and rugged enough for hard daily use.

SPECIFICATIONS

Ranges

DC Voltage	0 to 0.25, 2.5, 10, 50, 250, 1000, 5000 volts at 20,000 ohms per volt
AC Voltage	0 to 2.5, 10, 50, 250, 1000, 5000 volts at 1000 ohms per volt
DC Current	0 to 50 ua, 10 ma, 100 ma, 500 ma, 10 amperes (250 millivolt drop across the meter)
Output Voltage	0 to 2.5, 10, 50, 250, 1000, 5000 volts (.1 mfd internal series capacitor)

Decibels	-12 to -55 db in 5 ranges (calibrated for use across a 500 ohm line)	
Resistance	<u>Range</u>	<u>Center Scale</u>
	0 to 2000 ohms	(12 ohms)
	0 to 0.2 meg	(1200 ohms)
	0 to 20 megs	(120,000 ohms)
<u>Overall Dimensions</u>	6-3/4" X 5-1/4" X 3"	
<u>Weight</u>	2-3/4 pounds with batteries	
<u>Cabinet</u>	Highly polished black Bakelite	
<u>Panel</u>	Highly polished black Bakelite	
<u>Meter</u>	4-1/2 inch face, 50 ua movement	

OPERATING INSTRUCTIONS

Zero Adjustment

The slotted screw directly beneath the meter face is used to adjust the position of the meter pointer if it is off zero (when no measurement is being made). To bring the meter pointer to zero, use a small screwdriver to turn the screw either right or left as is necessary. This adjustment should be made before taking readings.

D-C Voltage Measurement

- a. Set the DC-AC-OUTPUT switch to the DC position.
- b. Set the RANGE switch to the voltage range that you can reasonably expect will include the voltage you are measuring. If you are in doubt about the voltage present, always set the switch at the highest voltage range before applying the unknown voltage to the instrument. Failure to observe this precaution may result in serious damage to the meter. If the unknown voltage is too low for accurate measurement on the highest range, rotate the RANGE switch towards the lowest voltage position until the range is found at which the voltage can be read accurately.
- c. When a voltage is being measured on any range except the 5000 volt range, insert the test leads in the jacks marked + (POSITIVE) and - COMMON. Place a test lead at each of the two points between which the DC voltage is to be measured, observing polarities. If you have mistaken the polarities, the pointer will be deflected left of zero, in which case simply reverse the test leads.
- d. Voltages in either the 1000 or the 5000 volt range are measured with the RANGE switch in the 1KV-5KV position. To use the 5000 volt range insert the test leads in the pin Jacks marked - COMMON and D. C. 5000 V. CAUTION: Extreme care must be exercised when making measurement on the 5000 volt range, as high voltage is dangerous. Never fail to turn off the

power when connecting or disconnecting the test leads. The meter and the leads must not be handled while the power is on.

e. DC voltages are read on the black 0-10, 0-50, 0-250 scales marked D.C. When using the 10, 50, and 250 volt ranges, the meter may be read directly. To obtain the indicated voltage in volts on the 2.5 volt range, divide the reading on the 250 scale by 100. For readings on the 0.25 volt range, divide the reading on the 250 scale by 1000. On the 1000 volt range, multiply the reading on the 10 scale by 100; on the 5000 volt range, multiply the reading on the 50 scale by 100 to obtain the indicated voltage in volts.

AC Voltage Measurement

The instructions for AC voltage measurement are the same as those for DC voltage measurement, with the following differences in procedure and reading.

a. Set the DC-AC-OUTPUT switch to the AC position.

b. To use the 5000 volt range, insert the test leads in the pin jacks marked "-" COMMON and A.C. 5000V. **CAUTION:** Extreme care must be exercised when making measurement on the 5000 volt range, as high voltage is dangerous. Never fail to turn off the power when connecting or disconnecting the test leads. The meter and the leads must not be handled while the power is on.

c. Read the red 0-10, 0-50, 0-250 scale marked A. C. on all voltage ranges except the 2.5 volt range, which is read on the red 0-2.5 scale marked 2.5V.A.C.

d. The reading of the meter scales corresponding to each range position is the same as for DC with the exception of the special 2.5V.A.C. scale, which is numbered in tenths of a volt.

DC Current Measurement

CAUTION: Never place the instrument across a voltage source when it is set for current measurement. Failure to observe this precaution may result in serious damage to the meter.

a. Set the DC-AC-OUTPUT switch to the DC position.

b. Set the RANGE switch to the current range that you can reasonably expect will include the current you are measuring. If you are in doubt about the current present, always set the switch at the highest current range before inserting the instrument in the circuit. Failure to observe this precaution may result in serious damage to the meter. If the unknown current is too low for accurate measurement on the highest range, rotate the RANGE switch towards the lowest current position until the range is found at which the current can be read accurately.

c. When a current is being measured on any range except the 10 amp. range, insert the test leads into the pin jacks marked + (POSITIVE) and - COMMON and place the instrument in series with the component through

which the current to be measured is flowing (observing current direction). If you have mistaken the direction of current flow, the pointer will be deflected left of zero, in which case simply reverse the test leads.

d. Currents in either the 10 ma range or the 10 amp. range are measured with the RANGE switch in the 10MA-10AMP. position. To use the 10 amp. range, insert the test leads in the pin jacks marked +10 AMP and -10 AMP, taking care to observe the direction of current flow.

e. DC currents are read on the black 0-10 and 0-50 scales marked D. C. When using the 10 ma and 10 ampere ranges, read the 10 scale directly in ma and amperes, respectively. To obtain the indicated current on the 100 ma range, multiply the reading on the 10 scale by 10 and read ma. Read the 0-50 scale directly for measurements made on the 50 ua scale. On the 500 ma scale, multiply the reading on the 50 scale by 10 and read in ma.

Resistance Measurement

a. Set the DC-AC-OUTPUT switch to the DC position.

b. If you are measuring a resistance less than 150 ohms, set the RANGE switch at the RX1 position. For a resistance between 150 and 15,000 ohms, use the RX100 position; and for a resistance above 15,000 ohms, use the RX10K position.

c. Insert the test leads into the Jacks marked + (POSITIVE) and - COMMON.

d. To zero adjust on any range, short the test leads and rotate the ZERO OHMS knob until the meter pointer is set directly over the zero of the top black scale marked OHMS.

e. Connect the test leads across the component whose resistance is to be measured. On the RX1 range, read the scale directly in ohms, To obtain the indicated resistance in ohms on the RX100 and the RX10K ranges, multiply the scale reading by 100 and 10,000, respectively.

Output Voltage Measurement

The instructions for output voltage measurement are the same as those for AC voltage measurement, with the exception that the DC-AC-OUTPUT switch is set at the OUTPUT position.

Consideration should be given, however, to the effect of the blocking capacitor when measuring on the 2.5V range at frequencies less than 1000 Hz, the 10V range below 250 Hz, and the 50V range below 60 Hz. On these ranges, below the frequencies given, the ratio of the reactance of the blocking capacitor to the multiplier resistance for the range is too high to neglect the bleeding of the applied voltage by the blocking capacitor. The graph in figure 1 has been prepared so that measurement can be made in these cases. The graph is used in the following way:

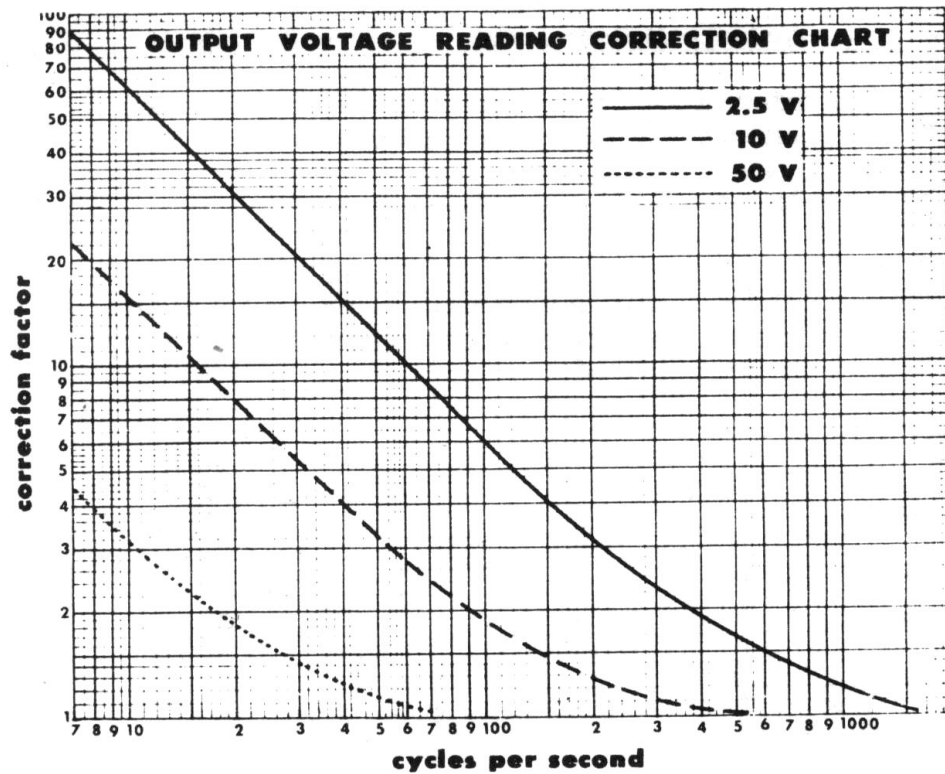


Figure 1

- Find the point corresponding to the frequency of the applied voltage on the horizontal scale marked "cycles per second."
- Trace upwards from that point until you strike the curve corresponding to the range on which you are measuring.
- Trace along the horizontal line from that point until you strike the vertical scale marked "correction factor."
- Multiply the voltage indicated on the meter by the correction factor obtained from the graph to find the true voltage.

DB Measurement

The instructions for db measurement are the same as those for AC voltage measurement, except for the reading of the meter scales.

When using the 2.5 volt position, the DB scale is read directly; for all other ranges it will be necessary to algebraically add the number of db charted on the right hand side of the meter face. For example, if the RANGE selector switch is set at 250 volts and the meter indicates + 1DB, the actual reading would be $40 + 1 = 41$ db. As a further example, if the meter in the 10 volt position reads -8DB, the actual reading would be $-8 + 12 = 4$ db.

Capacitance and Inductance Measurements

NOTE: An external AC power source is required to make capacitance and inductance measurements.

1. Set up the MODEL V-20 and the external power source as shown in figure 2.

WARNING:

Make certain the external power source is off before connecting the capacitance or inductance to be measured.

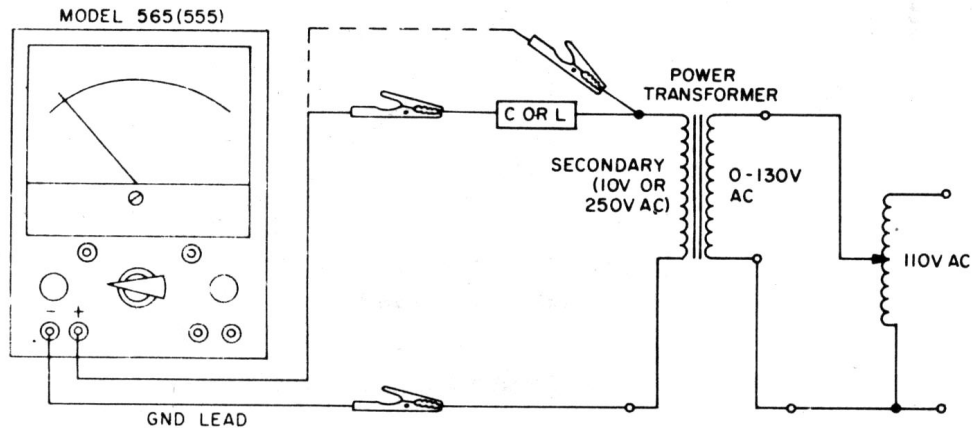


Figure 2. Connections for Capacitance or Inductance Measurements

2. For capacitance readings of .009 MF to 1MF or for inductance readings, set the DC-AC-OUTPUT switch to AC and the RANGE switch to 10V, and (with the meter leads connected across the secondary of the power transformer) adjust the external power source for a full-scale reading of 10 volts rms. For capacitance readings of .0001 MF to .03 MF, set the RANGE switch to 250V, and adjust the external power source for a full-scale reading of 250 volts rms.

CAUTION: Adjust the external power source starting from its lowest voltage so as not to overload the meter on the selected scale.

3. With the capacitance or inductance in series with the secondary of the power transformer, as shown in figure 2, read the voltage on the meter; then refer to table 1 (capacitance of .009 MF to 1MF), table 2 (capacitance of .0001 MF to .03 MF), or table 3 (inductance of 5H to 1000H) to obtain the corresponding value of capacitance or inductance.

**TABLE 1. VOLTAGE TO CAPACITANCE CONVERSION CHART
(.009 MF TO 1 MF)**

VOLTS (RMS)	CAPACITANCE (MF)
.32	.009
.38	.01
.73	.02
1.11	.03
1.49	.04
1.85	.05
2.21	.06
2.55	.07
2.87	.08
3.20	.09
3.52	.1
4.12	.12
4.67	.14
5.15	.16
5.61	.18
6.01	.2
6.86	.25
7.49	.3
8.34	.4
8.83	.5
9.14	.6
9.35	.7
9.50	.8
9.58	.9
9.67	1

**TABLE 2. VOLTAGE TO CAPACITANCE CONVERSION CHART
(.0001 MF TO .03 MF)**

VOLTS (RMS)	CAPACITANCE (MF)
2.25	.0001
4.5	.0002

TABLE 2. VOLTAGE TO CAPACITANCE CONVERSION CHART
 (.0001 MF TO .03 MF) (CONT'D)

VOLTS (RMS)	CAPACITANCE (MF)
6.75	.0003
9.25	.0004
11.8	.0005
14	.0006
16	.0007
18.1	.0008
21	.0009
23.3	.001
27.7	.0012
32.7	.0014
37	.0016
42	.0018
46.2	.002
51	.0022
55	.0024
59	.0026
64	.0028
68	.003
78	.0035
88	.004
97.5	.0045
106	.005
112	.0055
124	.006
130	.0065
137	.007
151	.008
161	.009
172	.01
221	.02
236	.03

**TABLE 3. VOLTAGE TO INDUCTANCE CONVERSION CHART
(5H TO 1000H)**

VOLTS (RMS)	INDUCTANCE (L)
9.83	5
9.75	6
9.67	7
9.57	8
9.47	9
9.35	10
7.99	20
6.63	30
5.52	40
4.67	50
4.04	60
3.52	70
3.14	80
2.81	90
2.56	100
2.16	120
1.86	140
1.63	160
1.45	180
1.31	200
0.88	300
0.64	400
0.53	500
0.27	1000

High Resistance Measurements

NOTE: An external DC power source variable up to 250V; a 270K, 5% resistor; and a 180K, 10% resistor are required to make high resistance measurements.

1. Set up the Model 565 (555) and the external components and power supply as shown in figure 3.

WARNING: Make certain the external power source is off before connecting the resistance to be measured

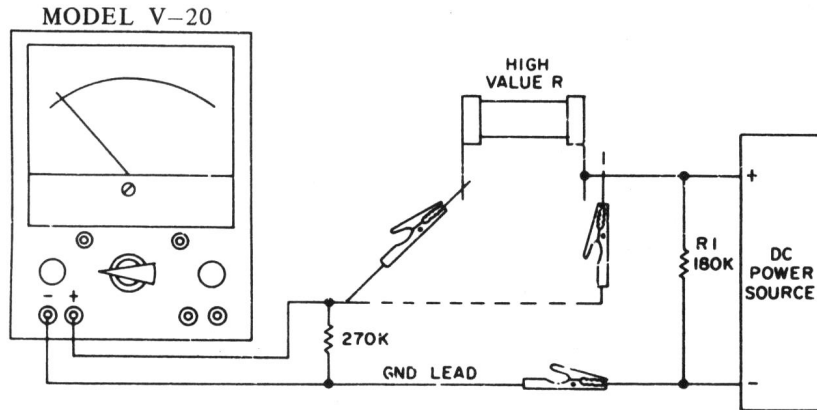


Figure 3. Connections for High Resistance Measurements

2. Set the DC-AC-OUTPUT switch to the DC position and the RANGE switch to the 250V position.
3. Adjust the DC power source for a full-scale reading of 250 volts with the meter leads connected across resistor R1. Make certain not to overload the meter.
4. With the high value resistor to be measured connected in series with resistor R1, as shown in figure 3, read the voltage on the meter; then refer to table 4 to obtain the corresponding resistance value.

TABLE 4. VOLTAGE TO RESISTANCE CONVERSION CHART
(50K TO 50 MEG)

VOLTS (DC)	OHMS
210	50K
178	100K
156	150K
139	200K
125	250K
114	300K
104	350K
96	400K
89	450K
83	500K

TABLE 4. VOLTAGE TO RESISTANCE CONVERSION CHART
(50K TO 50 MEG) (CONT'D)

VOLTS (DC)	OHMS
73.5	600K
66	700K
59	800K
54.3	900K
50	1 MEG
35.7	1.5 MEG
27.7	2 MEG
12.5	5 MEG
8.1	7.5 MEG
6.1	10 MEG
3.08	20 MEG
2.06	30 MEG
1.56	40 MEG
0.499	50 MEG

CIRCUIT THEORY

Introduction

The purpose of this section is to describe the theory of operation of each of the measuring circuits available with this instrument. Simplified individual schematic diagrams accompany each of the circuit descriptions.

DC Voltage Measurement

Figure 4 shows that portion of the 565/555 meter circuit used for DC voltage measurements. Contacts 7-10 of OUTPUT-AC-DC function switch S2 are closed in this mode. Jacks J3 (- COMMON) and J4 (+) are used to measure all voltage ranges except 5KV. In this case jacks J3 and J5 (D. C. 5000 V.) are used. Deck C of RANGE switch S1 is used to select the resistance that must be placed in series with meter M1 so that the meter will provide the proper reading for the selected range scale. The rotor of S1C is connected to the rotor of S1D, so the selected resistor is placed in series with M1 through S1D-4. The following contacts of S1C represent the six available voltage ranges: 4 - 1KV/SKV; 5 - 250V; 6 - 50V; 7 - 10V; 8 - 2.5V; 12 - 0.25V.

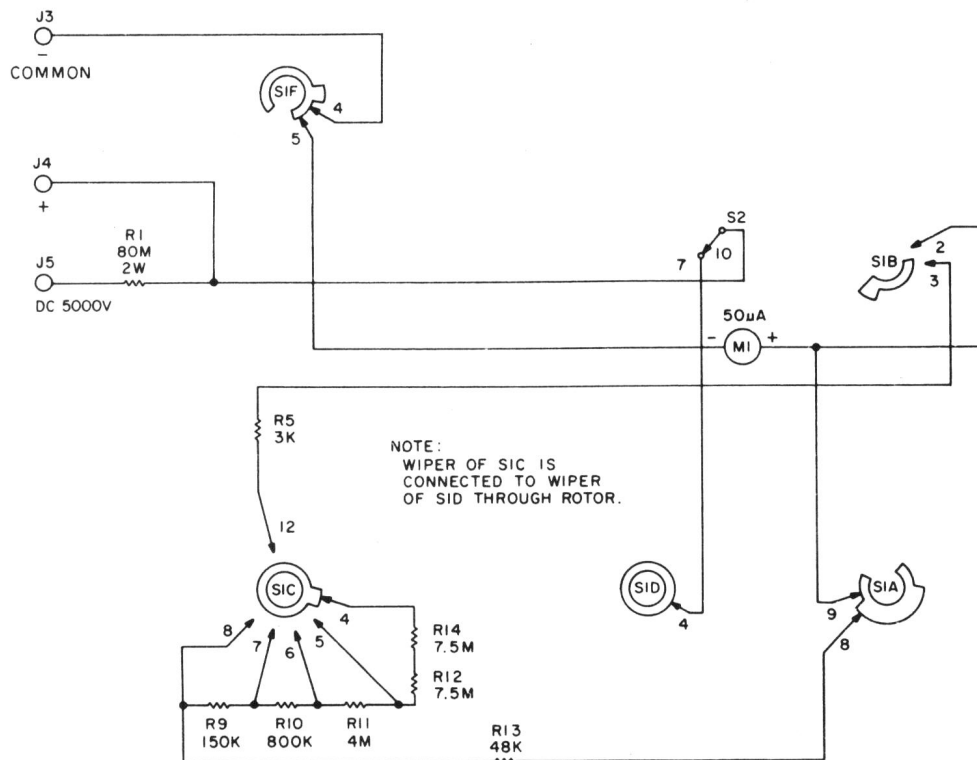


Figure 4. DC Voltage Circuit

The meter is fully deflected by a current of 50 ua. Therefore the value of the total series resistance for each range should be equal to the voltage of the range divided by 50 ua (Ohm's Law: $R = E/I$). For example, for the 50V range, the series resistance should be 1 Meg. If the series circuit is traced between J3 and J4 (with SI C on contact 6), it will be found that the resistance will total 1 Meg. (Include 2K for the resistance of the meter.) The same is true for each of the remaining voltage ranges. When the 5000 volt range is used and the measurement is made between J3 and J5, an additional 80 Meg resistor is added to the series circuit to provide the required 100 Meg for this range. When actual voltage measurements are made, any voltage less than the selected range will provide a meter deflection proportionately less than full scale.

AC Voltage Measurement

Figure 5 shows that portion of the V-20 meter used for AC and output voltage measurements. Contacts 8-10 and 2-4 of function switch S2 are closed for AC measurements. Here again, jacks J3 and J4 are used to measure all AC voltages except 5KV, in which case J3 and J6 (A.C. 5000 V.) are used. Deck E of RANGE switch S1 is used to select the resistance that

must be placed in series with meter MI so that the meter will provide the proper reading for the selected range scale. The following contacts of S1E represent the five available voltage ranges: 8 - 1KV/5KV; 9 - 250V; 10 - 50V; 11 - 10V; 12 - 2,5V.

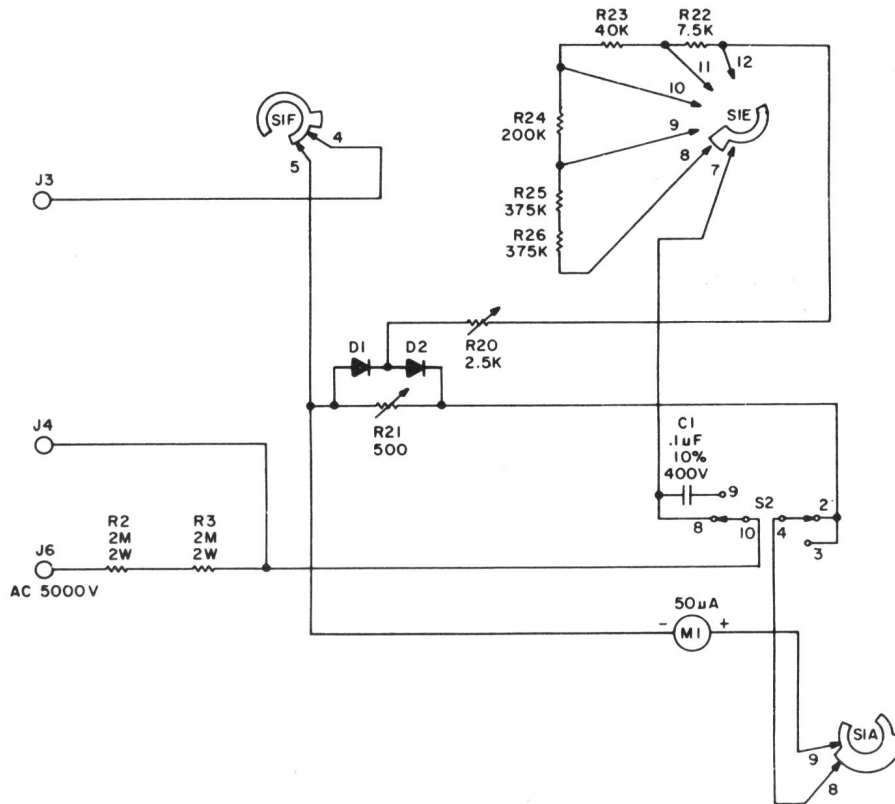


Figure 5. AC Voltage Circuit

Since the meter deflects only in proportion to the average current level passing through it (and the average value of AC is zero), the current drawn by the instrument is rectified by a full-wave rectifier circuit consisting of diodes D1 and D2. The resulting current is a pulsating DC whose average value is proportional to the applied AC voltage. The current-resistance characteristics of the diodes makes it impractical to try to obtain accurate readings at low currents. Therefore the instrument is designed to draw about 20 times the current for a measurement of AC voltage as it does for an equivalent DC voltage measurement. Since the DC sensitivity of the meter is 20,000 ohms/volt, the AC sensitivity is 1000 ohms/volt. Potentiometers R20 and R21 in the rectifier circuit are factory adjusted to provide proper readings with the RANGE switch in the lowest and highest voltage positions, respectively. The series resistors selected by S1E have the

same proportion to each other for the various ranges as the series resistors selected by S1C for the DC voltage circuit, except that the AC series resistors are 1/20 the value of the DC resistors.

Resistance Measurement

Figure 6 shows that portion of the V-20 meter circuit used for resistance measurements. With the unit used as an ohmmeter, function switch S2 is in the DC-OHMS position and contacts 7-10 are closed. Resistance measurements are made between jacks J3 and J4.

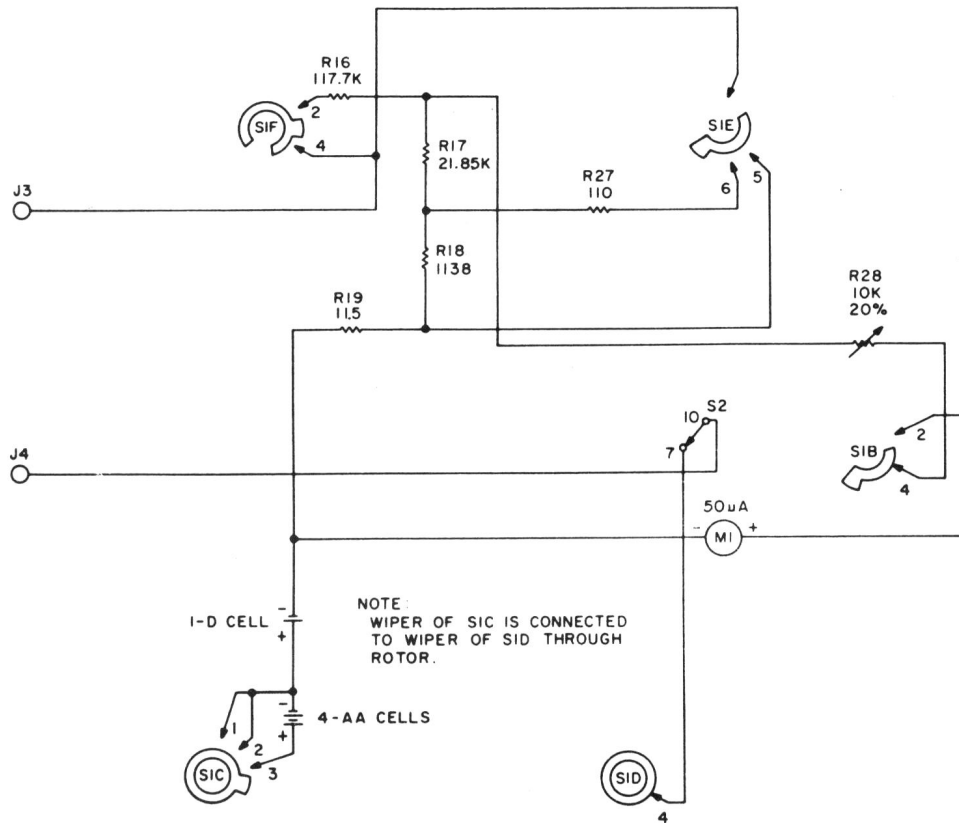


Figure 6. Resistance Circuit

The voltage used for the resistance measurements is selected by deck C of RANGE switch S1. The R x 1 and R x 100 ranges use 1.5 volts through contacts 1 and 2 of SIC and contact 4 of SID (wipers of SIC and SID are connected together); while the R x 10K range uses an additional 6 volts (contact 3 of SIC). Meter M1 is located in one leg of a parallel resistance network consisting of resistors R16, R17, R18, H19, and R27. Decks E and F of S1 are used to select the proper combinations of these resistors for each

of the selected ranges. Potentiometer R28 is used to compensate for variations in the battery voltages, thus allowing the meter to be zeroed for each range.

DC Current Measurement

Figure 7 shows that portion of the V-20 meter circuit used for DC current measurements. In this mode, function switch S2 is in the DC-OHMS position; and contacts 7-10 are closed. Jacks J3 and J4 are used for all current ranges except the 10 AMP range, in which case jacks J1 and J2 are used.

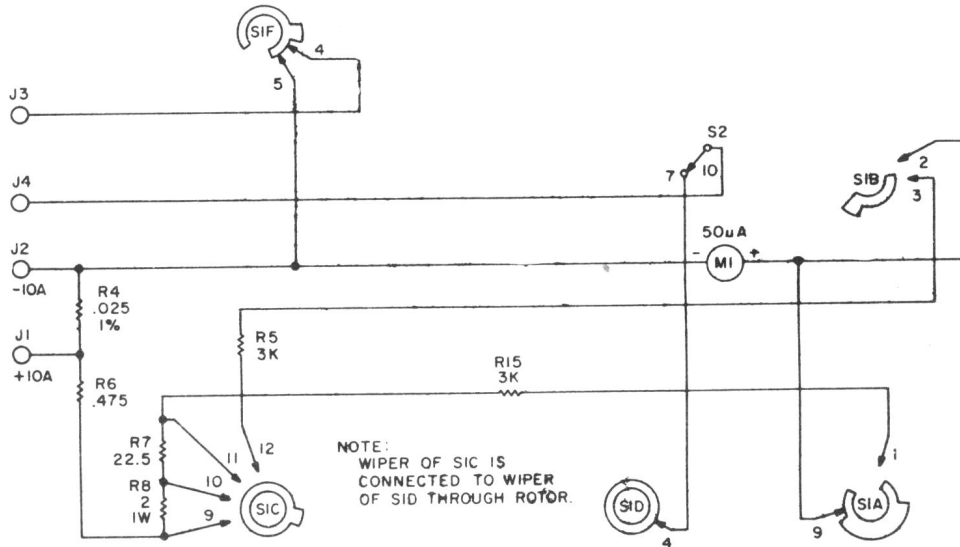


Figure . DC Current Circuit

As in the resistance measurement circuit, meter MI is located in one leg of a parallel resistance network. The combination of resistors is selected by decks A, B, and C of RANGE switch S1. The higher the current range selected, the less resistance is placed in parallel With the circuit containing MI, thereby shunting most of the current away from the meter. However, in the 50 ua range position, there is no shunt leg and all current is passed through the meter (50 ua is required for full-scale deflection). In the 10 AMP range (when jacks J1 and J2 are used), the shunt circuit consists only of .025 ohm resistor R4. Jacks J1 and J2 are used in the 10 AMP range to reduce the number of switch contacts through which high currents must pass.

Output Voltage Measurement

The output voltage measurement circuit (figure 5) description is the same as that listed in the preceding AC section, except that contacts 9-10 and 3-4 of function switch S2 are closed and capacitor C1 is used to block any DC component present.

Decibel Measurement

The operation of the DB range (see figure 5) is essentially the same as that described under Output Voltage Measurement. The meter is calibrated in DB across a 500 ohm impedance.

MAINTENANCE

General

This instrument should require very little, if any, maintenance due to its inherent ruggedness and ability to withstand electrical surges. Care should be taken, however, to protect the instrument from any severe mechanical or electrical shock.

When in doubt of the voltage or current present in the circuit, always use the highest range and then proceed downward until the meter reads somewhere between 1/5 and full scale.

Battery Replacement

When it is no longer possible to zero the meter on the R x 1 and R x 100 ranges by rotating the ZERO OHMS knob with the test leads shorted, the single, large 1.5 volt battery should be replaced.

When it is no longer possible to zero the meter on the R x 10K range by rotating the ZERO OHMS knob with the test leads shorted, the four small 1.5 volt batteries should be replaced.

Both types of batteries are standard and readily obtainable. The large battery is of the flash light type, and the small batteries are of the pen light type.

NOTE: When replacing batteries, make certain that polarities are observed as shown in the schematic diagram. The instrument may be taken out of its case by removing the two screws on the front panel and the single screw on the rear of the case.

MODEL V-20

Please add the following to your OPERATING MANUAL. On page 2, after the title OPERATING INSTRUCTIONS, insert the following paragraph:

Before proceeding, remove the instrument from the cabinet. Insert a large flashlight battery. D-Cell, into the battery bracket mounted on the wall of the bakelite case. The Positive terminal of the battery is to face up towards the top of the case. Now insert the four penlight batteries, AA-cells, into the battery bracket mounted on the meter. Adjacent batteries are to be inserted in opposite directions. Thus, the battery closest to the large 2 Megohm resistors, is inserted with the positive terminal up towards the top of the panel. The next battery is inserted with the positive terminal down. The third battery is inserted into the bracket with the positive terminal up while the battery located furthest from the resistors, is inserted with the positive terminal down.

Replace and secure the VOM panel in its cabinet.

If you have a kit please make the following changes:

Page 6, Fig. 1

A rectangular pot is shown on right end of resistor board, redraw it so that it is at the left end.

PAGE, 7 STEP 2, CHANGE WIRE LENGTH FROM 1-1/2" TO 1-3/4"

PAGE 13 STEP 8, CAPACITOR LEAD LENGTH SHOULD BE OUT TO 3/4"

PLEASE NOTE:

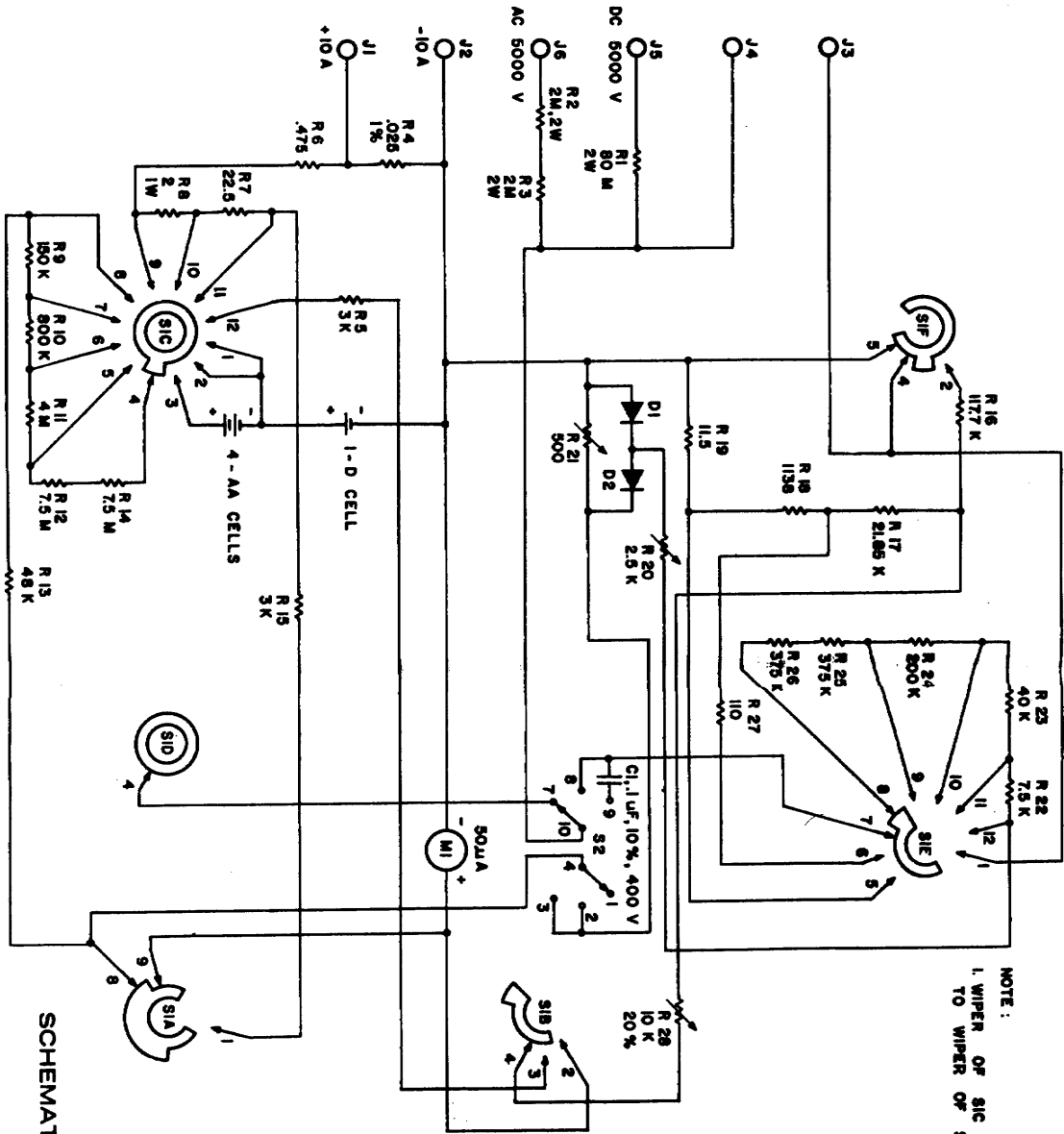
R 12 AND R 14 (part no. 11035) BOTH 7.5 Meg. RESISTORS WHICH ARE USED IN SERIES TO MAKE 15 MEGOHM 1% ARE NOW ANY TWO VALUES TOTALING 15 MEGOHMS 1%. THEY ARE PACKED IN A SMALL ENVELOPE MARKED R12-R14 PART NO. 11035.

I.E. 2335

ADMENDMENT

19

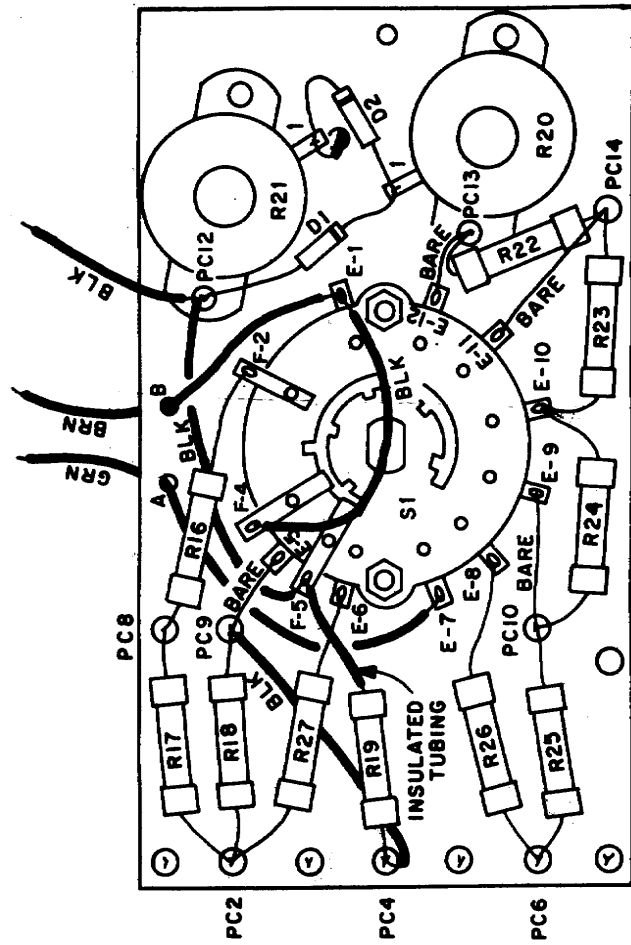
Schematic



SCHMATIC DIAGRAM

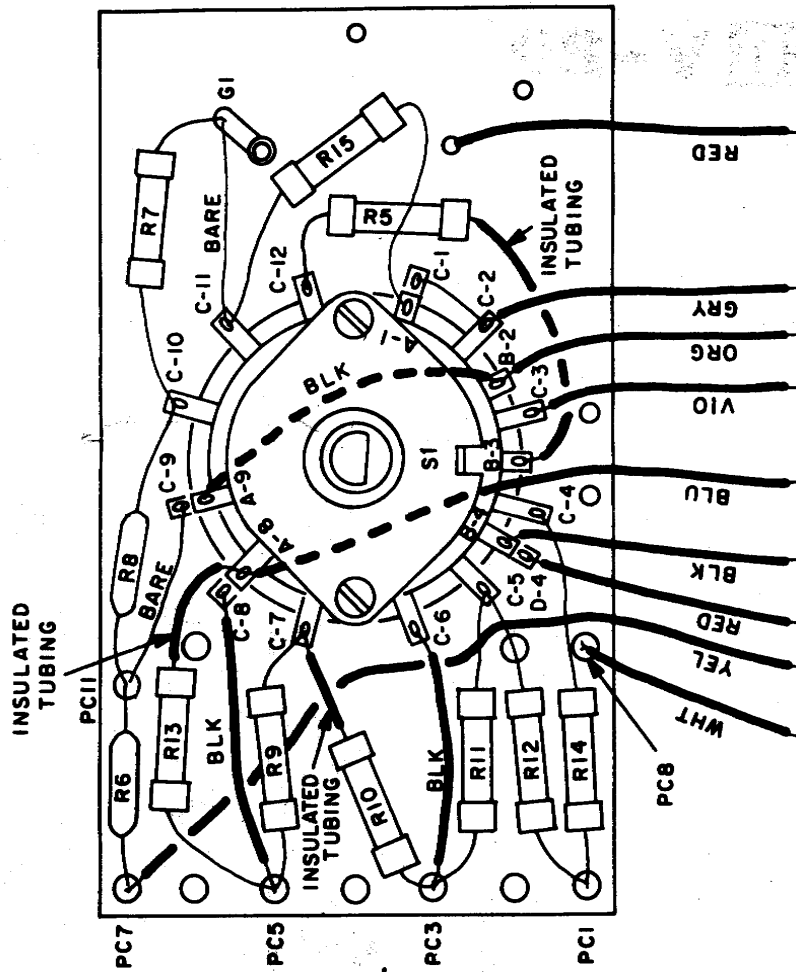
Component Location 1

EMCO V-20



TOP VIEW

Component Location 2



BOTTOM VIEW

FIGURE 1

Parts List

PARTS LIST

PART NO.	SYM. NO.	DESCRIPTION	QTY.	PART NO.	SYM. NO.	DESCRIPTION	QTY.
RESISTOR							
11001	R19	11.5 ohm, 1/4W, 1%	1	43000		washer, lock, 3/8	3
11003	R7	22.5 ohm, 1/4W, 1%	1	43001		washer, flat, 3/8	3
11006	R27	110 ohm, 1/4W, 1%	1	43007		terminal eyelet (flat)	1
11010	R18	110 ohm, 1/4W, 1%	1	43003		lug, solder, 1/4	2
11011	R15	2.4K, 1/4W, 1%	2	45000		standoff, #10 x 1/4	2
11012	R21	7.5K, 1/4W, 1%	1	45004		eyelet, small	15
11013	R17	21.85K, 1/4W, 1%	1	METER			
11020	R23	40K, 1/4W, 1%	1	72019	M1	meter, 50ma w/mg. hardware	1
11021	R13	48K, 1/4W, 1%	1	DIODE			
11024	R16	110.7K, 1/4W, 1%	1	93006	D1.2	rectifier, meter	2
11025	R24	200K, 1/4W, 1%	1	SHEET METAL AND MISCELLANEOUS			
11028	R25, 28	378K, 1/4W, 1%	2	86586		manual operating	1
11029	R10	800K, 1/4W, 1%	1	86587		manual assembly	1
11032	R11	4M, 1/4W, 1%	2	86277		panel, front	1
11035	R12, 14	2M, 1/4W, 1%	2	80280		panel, front	1
11041	R1, 3	30M, 2W, 5%	1	81493		panel, bracket	1
11851	R1	.475 ohm, 1/2W, 1%	1	81003		handle, flat leather	1
13000	R6	2 ohm, 1W, 1%	1	89006		cabinet	1
13002	R8	wire, .025 ohm, 1/2W, 1% (3-1/4")	1	TERMINAL STRIP AND RESISTOR BOARD			
15000	R4		1	54000		terminal strip, 1 post, left	1
POTENTIOMETER							
16010	R29	5K, Cer. 10K ohm, linear, 20% 1	1	54021		terminal strip, 2 post, left	1
16012	R20	spec. w.w., 2.5K ohm (series) 1	1	54511		wire	1
19003	R21	spec. w.w., 500 ohm (shunt) 1	1	RESISTOR BOARD			
CAPACITOR							
20089	C1	mylar, A.L., 1mfd, 400V, 10% 1	1	BATTERY BRACKET			
HARDWARE							
40001		mt. base, 2/16-32 x 1/2	2	54502		battery bracket assembly, size D, 1 cell	1
40012		mt. base, 2/16-32 x 1/2	2	Complete of the following:			
40013		mt. base, 2/16-32 x 1/2	1	81500		washer, flat fiber shoulder #8	1
41023		acrow, #4 x 1/4, P.H., type A, 2 B.H.	2	43003		washer, fiber shoulder #8	2
41045		acrow, #10-32 x 1/2 - 1" R.H., 2	2	43008		washer, fiber shoulder #8	1
41067		black nylon	2	43065		washer, lock, ext. tooth #6	1
41187		black oxide	2	43900		lock plate	1
41211		acrow, #8-32 x 1/2, P.H., 1 black nylon	1	43904		lug, ground, nickel plate, 1/8 D. x 1/4 L.	2
				54812		battery holder (84505 W/81911)	1
				58000		wire, hook-up	7 ft.
				58500		insulated tubing	1-1/4 ft.
				58600		case, knurled, black	1-1/2 ft.
				58901		wire, bare, #22	1-1/2 ft.

Page Left Blank Intentionally

K4XL's **BAMA**

This manual is provided **FREE OF CHARGE** from the "BoatAnchor Manual Archive" as a service to the Boatanchor community.

It was uploaded by someone who wanted to help you repair and maintain your equipment.

If you paid anyone other than BAMA for this manual, you paid someone who is making a profit from the free labor of others without asking their permission.

You may pass on copies of this manual to anyone who needs it. But do it without charge.

Thousands of files are available without charge from BAMA. Visit us at <http://bama.sbc.edu>